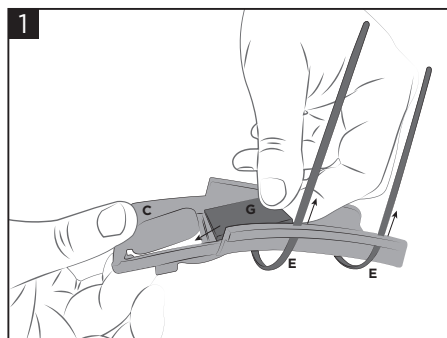
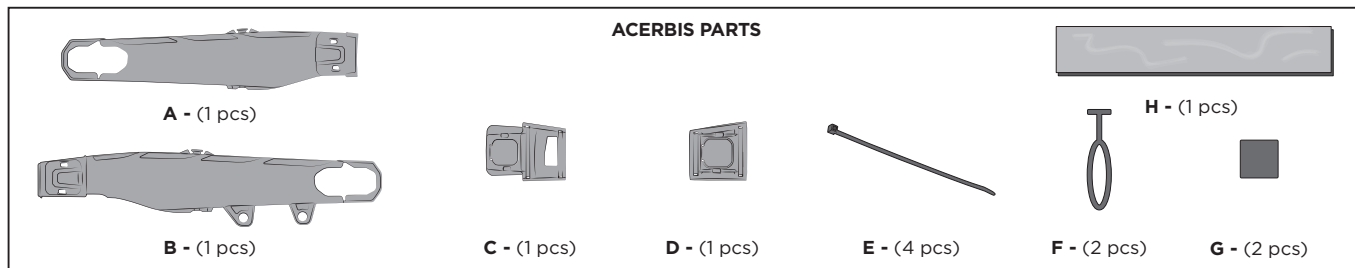


SWINGARM PROTECTIONS TEKET MAGNET KTM/HUSQVARNA/GASGAS

ACERBIS

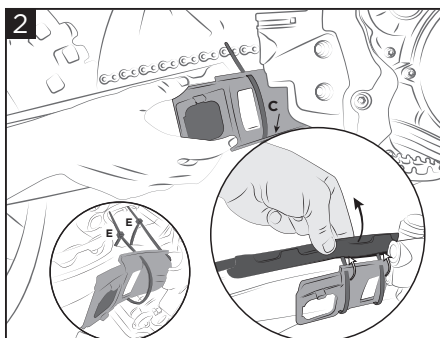
PROTEZIONI FORCELLONI TEKET MAGNET
KTM/HUSQVARNA/GASGAS

COD. 500008039 REV.2 PG.1



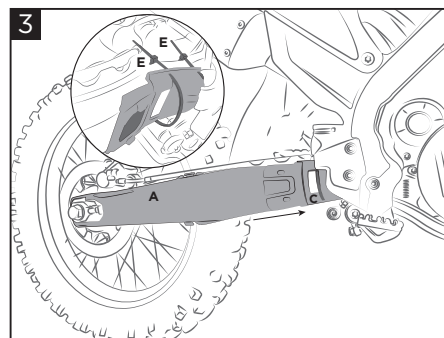
1
Insert the plate (G) in the support (C) and insert the zip ties (E) in their dedicated spaces, as shown in figure.

Inserire la piastrina (G) nel supporto (C) e infilare le fascette (E) negli appositi spazi come indicato in figura.



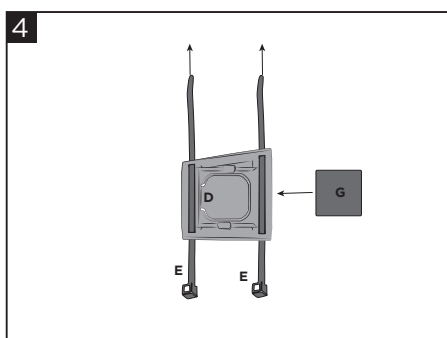
2
Place the support (C) and close the zip ties (E) without tightening.

Sollevare il supporto tubo freno per infilare le fascette sulla parte superiore. Posizionare il supporto (C) e chiudere le fascette (E) senza stringerle.



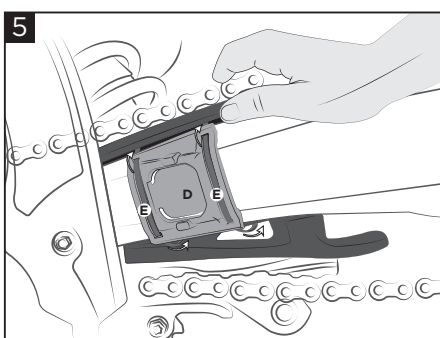
3
Mount the swingarm protection (A) framing it with the support (C) and tighten the zip ties (E).

Montare la protezione forcellone (A) incastrandola con il supporto (C), e stringere le fascette (E).



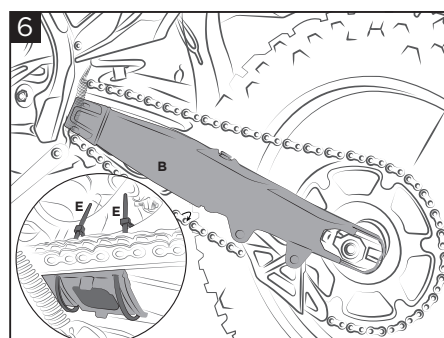
4
Insert the plate (G) in the support (D) and insert the zip ties (E) in their dedicated spaces, as shown in figure.

Inserire la piastrina (G) nel supporto (D) e infilare le fascette (E) negli appositi spazi come indicato in figura.



5
Place the support (D), insert the zip ties (E) as shown in figure and close them without tightening.

Sollevare il guidacatena per infilare le fascette sulla parte superiore. Posizionare il supporto (D) infilando le fascette (E) come in figura e chiudere senza stringerle.



6
Mount the swingarm protection (B) framing it with the support (D) and tighten the zip ties (E).

Montare la protezione forcellone (B) incastrandola con il supporto (D) e stringere le fascette (E).

WARNING!

Use Acerbis' products at your own risk. Check the safety of your device before you ride. Be sure that you follow the instructions for installing the Acerbis' products. Do not ride if there is missing or damaged hardware. If this is the case, take the item immediately back to your dealer. Make sure the throttle and other controls are free every time you ride. Not following these instructions and warnings could lead to interference with the controls, loss of control, and accidents. Acerbis recommends that installation must be done by a licensed mechanic and that only Acerbis' original parts are used during installation. Acerbis makes no guarantees or representations, express or implied, regarding the fitment of its product for any particular purpose. Acerbis makes no guarantees or representations, express or implied, regarding the extent to which its products protect individuals or property from injury or death or damage.

EUROPE

ACERBIS ITALIA S.P.A.
VIA SERIO, 37
24021 ALBINO (BG)
ITALY

U.S.A.

ACERBIS U.S.A. INC.
MAIL P.O. BOX 2030
SUN VALLEY, ID 83353
SHIP 110 LINDAY CIRCLE
KETCHUM, ID 83340
U.S.A.

UNITED KINGDOM

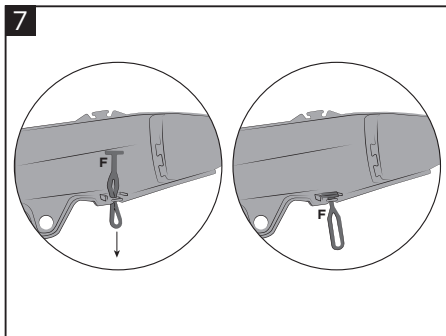
ACERBIS U.K LTD
UNIT 2 LUTON ENTERPRISE PARK
SUNDON PARK ROAD
LUTON, BEDFORDSHIRE LU3 3GU
GREAT BRITAIN

SWINGARM PROTECTIONS TEKET MAGNET KTM/HUSQVARNA/GASGAS

ACERBIS

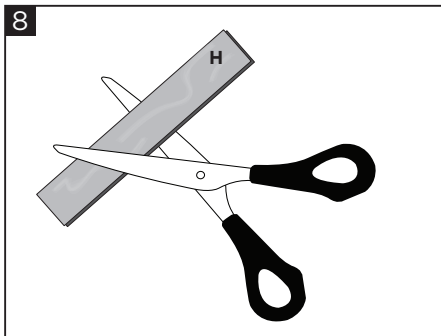
PROTEZIONI FORCELLONI TEKET MAGNET KTM/HUSQVARNA/GASGAS

COD. 500008039 REV.2 PG.2

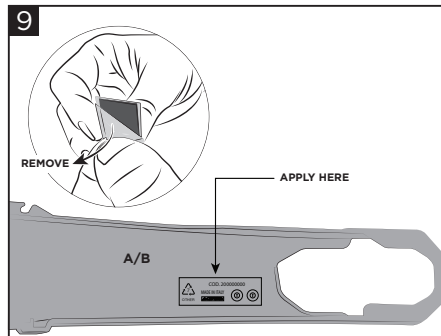


Remove the covers (A) and (B). Insert the rubber band (F) in the dedicated space, as shown in figure on both protections.

Rimuovere le cover (A) e (B). Inserire l'elastico (F) nell'apposito spazio come mostrato in figura su entrambe le protezioni.

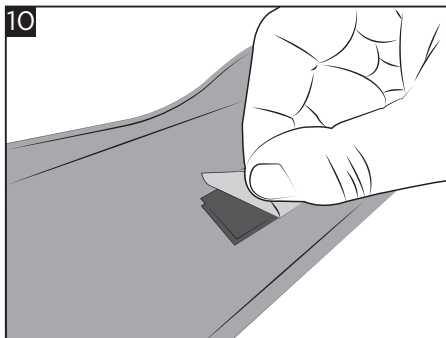


Cut the biadhesive velcro (H) in half.
Tagliare il velcro biadesivo (H) a metà.



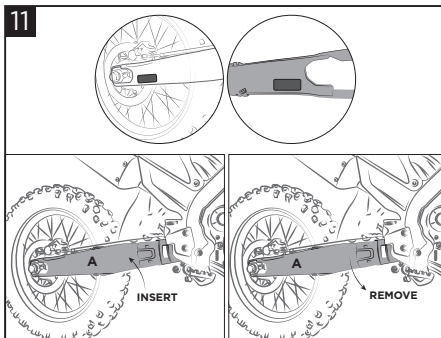
Clean perfectly the swingarm and the teket magnet protection removing any trace of dirt, grease and oils in the indicated area. Remove the biadhesive's protective film (H) from one side and paste it on the inside of the protection (A)/(B), as shown in figure (above the plastic details panel).

Pulire perfettamente il forcellone e la protezione teket magnet rimuovendo sporco, grassi e oli nell'area indicata. Rimuovere la pellicola protettiva del biadesivo (H) da un lato e incollarlo sulla protezione nello spazio indicato in figura (riquadro dedicato ai marchi) all'interno della protezione (A)/(B).



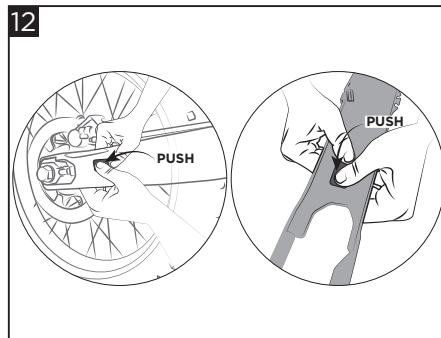
Once put in place, remove the other protective film.

Una volta posizionato, rimuovere anche la seconda pellicola protettiva.



Place the swingarm protections (A)/(B) and applying pressure in the fixing areas of the velcro and remove it, checking that the velcros are placed correctly on the protection and the swingarm.

Posizionare le protezioni forcellone (A)/(B) facendo pressione nelle aree di fissaggio dei velcri e rimuoverle, verificando che i velcri siano fissati correttamente sia sulla protezione che sul forcellone.



For a better tightness, put pressure on bot velcros.

Per una maggiore tenuta, fare pressione su entrambi i velcri.

WARNING!

Use Acerbis' products at your own risk. Check the safety of your device before you ride. Be sure that you follow the instructions for installing the Acerbis' products. Do not ride if there is missing or damaged hardware. If this is the case, take the item immediately back to your dealer. Make sure the throttle and other controls are free every time you ride. Not following these instructions and warnings could lead to interference with the controls, loss of control, and accidents. Acerbis recommends that installation must be done by a licensed mechanic and that only Acerbis' original parts are used during installation. Acerbis makes no guarantees or representations, express or implied, regarding the fitment of its product for any particular purpose. Acerbis makes no guarantees or representations, express or implied, regarding the extent to which its products protect individuals or property from injury or death or damage.

EUROPE

ACERBIS ITALIA S.P.A.
VIA SERIO, 37
24021 ALBINO (BG)
ITALY

U.S.A.

ACERBIS U.S.A. INC.
MAIL P.O. BOX 2030
SUN VALLEY, ID 83353
SHIP 110 LINDAY CIRCLE
KETCHUM, ID 83340
U.S.A.

UNITED KINGDOM

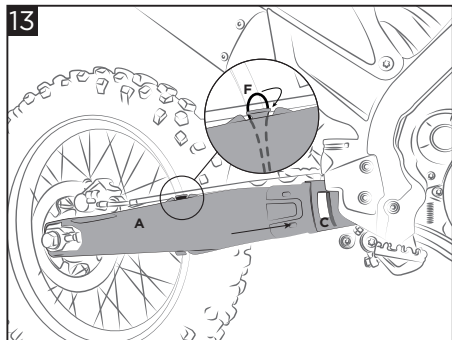
ACERBIS U.K LTD
UNIT 2 LUTON ENTERPRISE PARK
SUNDON PARK ROAD
LUTON, BEDFORDSHIRE LU3 3GU
GREAT BRITAIN

SWINGARM PROTECTIONS TEKET MAGNET KTM/HUSQVARNA/GASGAS

ACERBIS

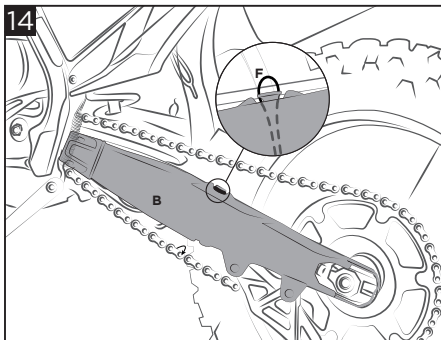
PROTEZIONI FORCELLONI TEKET MAGNET
KTM/HUSQVARNA/GASGAS

COD. 500008039 REV.2 PG.3



Mount the swingarm protection (A) framing it with the support (C) and hook the rubber band (F).

Montare la protezione forcellone (A) incastrandola con il supporto (C) e agganciare l'elastico (F).



Mount the swingarm protection (B) framing it with the support (D) and hook the rubber band (F).

Montare la protezione forcellone (B) incastrandola con il supporto (D), e agganciare l'elastico (F).

WARNING!

Use Acerbis' products at your own risk. Check the safety of your device before you ride. Be sure that you follow the instructions for installing the Acerbis' products. Do not ride if there is missing or damaged hardware. If this is the case, take the item immediately back to your dealer. Make sure the throttle and other controls are free every time you ride. Not following these instructions and warnings could lead to interference with the controls, loss of control, and accidents. Acerbis recommends that installation must be done by a licensed mechanic and that only Acerbis' original parts are used during installation. Acerbis makes no guarantees or representations, express or implied, regarding the fitment of its product for any particular purpose. Acerbis makes no guarantees or representations, express or implied, regarding the extent to which its products protect individuals or property from injury or death or damage.

EUROPE

ACERBIS ITALIA S.P.A.
VIA SERIO, 37
24021 ALBINO (BG)
ITALY

U.S.A.

ACERBIS U.S.A. INC.
MAIL P.O. BOX 2030
SUN VALLEY, ID 83353
SHIP 110 LINDAY CIRCLE
KETCHUM, ID 83340
U.S.A.

UNITED KINGDOM

ACERBIS U.K LTD
UNIT 2 LUTON ENTERPRISE PARK
SUNDON PARK ROAD
LUTON, BEDFORDSHIRE LU3 3GU
GREAT BRITAIN